

ems service room sliding door BS 80

Features

Robust, light sliding door. Can be used in areas with low climatic stress, e.g. in internal logistics or to separate rooms (including cold rooms) with the same climatic conditions.

U Value door leaf in W/m²K 0.30

Dimensions:

Clear width (CW): max. 3,500

Clear height (CH): max. 3,500

Details of the ems service room sliding door BS 80

Door leaf

Door leaf thickness 80 mm, foamed with PU rigid foam, foaming agent CFC-free and HCFC-free.

Door frames

Ready to install with flat frame for brickwork assembly, alternatively with clamp frame for panel installation. The frames can be easily replaced in case of mechanical damage. Ground level light metal extruded threshold, or without threshold.

Options

Lateral frame crossbeam for improved aesthetics, tubular track lead-through.

Covering sheet steel design

Galvanized Quality Class Z275, corrosive protection class III pursuant to DIN 55928.

Polyester coating, 25 µm in different colours pursuant to ems colour table. Optional special coating FS3000® 25µm, specially suitable for use in food processing, in the colours 9001 (equivalent to RAL 9001), 9002 (equivalent to RAL 9002) and 9010 (equivalent to RAL 9010).

Options

Coating food wrapping (LMF), 150 µm, colour 9001 (equivalent to RAL 9001), only suitable for use in dry areas.

Covering stainless steel design

Nickel-chromium steel (CNS) 1.4301, non-rusting pursuant to DIN 17440, circular-matted, grounded lengthwise, brushed or pattern-rolled (5WL).

Mounting suspension

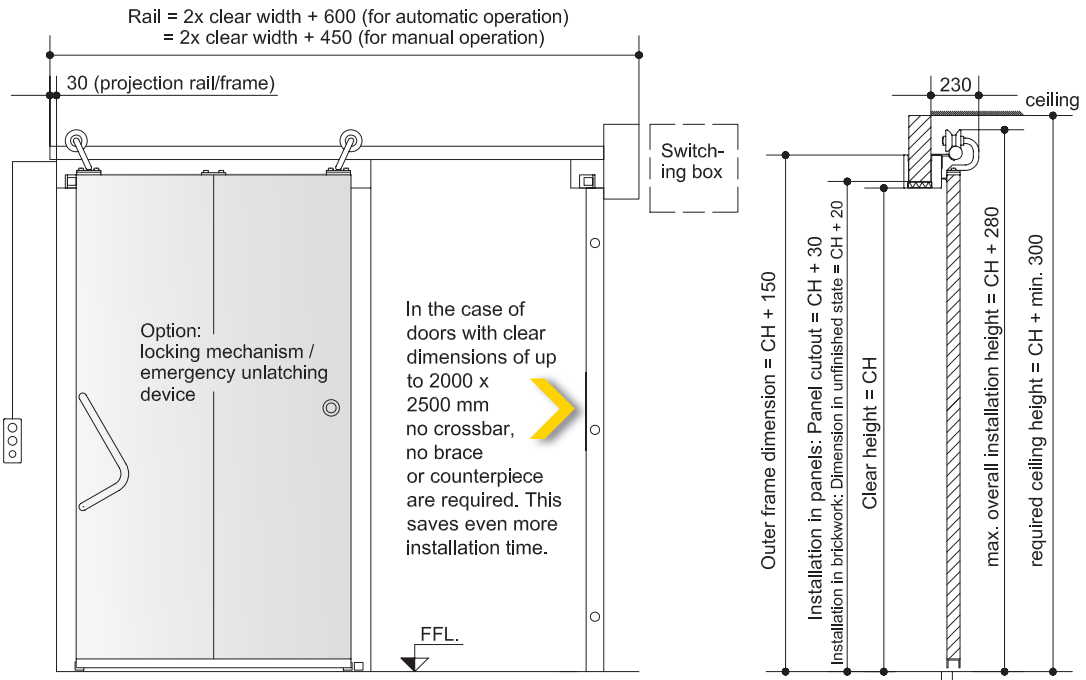
Easy to clean, reliable running and simple handling are special features of the patented hygiene guide rails processed completely from polished special steel LS 3000 (DE 100 11 245.5). The design which has no corners and edges and no hidden components enables simple, and above all, swift assembly.

Fitting

Standard design: Stainless-steel tube handle

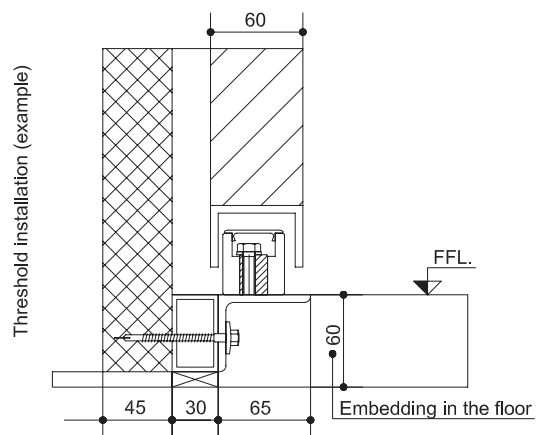
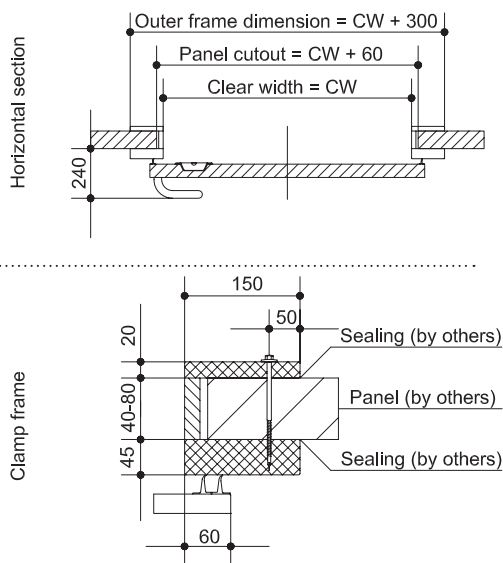
Options (on request) i.a.:

- Bolt lock with integrated emergency release
- Lateral releasing handle
- Windows WxH = 400x600mm



Detailed sections

Panel installation DIN right (DIN left mirror-inverted)



Installation situation:
 Door installation before laying the top flooring

Other installation details on request.

Brickwork installation DIN right (DIN left mirror-inverted)

