

# ems service room hinged door BTM 40

## Features

### Fields of application:

Service rooms, internal logistics

U value door leaf in W/m<sup>2</sup>K      0.58

### Dimensions:

Clear width (CW):            max. 1,100

Clear height (CH):          max. 2,500

Other sizes are available as special design, on request.

The new operating room hinged door with only 40 mm leaf thickness. Door leaf and door frame are flush and ensure a pleasant appearance as well as all functional benefits.

## Details of the ems service room hinged door BTM 40

### Door leaf

Door leaf thickness 40 mm, foamed with PU rigid foam, foaming agent CFC-free and HCFC-free. Vertical butt joint from CW 1,100 mm

### Sealing

Sealing fastened on door frame, inside on three sides, grease-resistant. EPDM abrasive rubber sealing.

### Door frames installed in brickwork

Brickwork frame (50 x 60 mm) metal-sheeted in the design of the door leaf. Flush with the door leaf, with and without threshold. Ready to install with assembly material and installation instructions.

### Door frame with panel installation

Clamp frame (50 x 60 mm) metal-sheeted in the design of the door leaf, flush with the door leaf, with and without threshold. Prepared ready to install for the respective panel thickness, with assembly material and installation instructions.

### Options (on request) i.a.:

- Continuous frame
- Aluminium or stainless steel threshold
- Stainless steel frame

### Covering sheet steel design

Galvanized Quality Class Z275 pursuant to corrosive protection class III pursuant to DIN 55928. Polyester coating, 25 µm in industrial colours pursuant to ems colour table.

### Options (on request):

Food-compatible coating FS3000®, 25 µm, physiologically harmless, in various colours:

### Covering stainless steel design

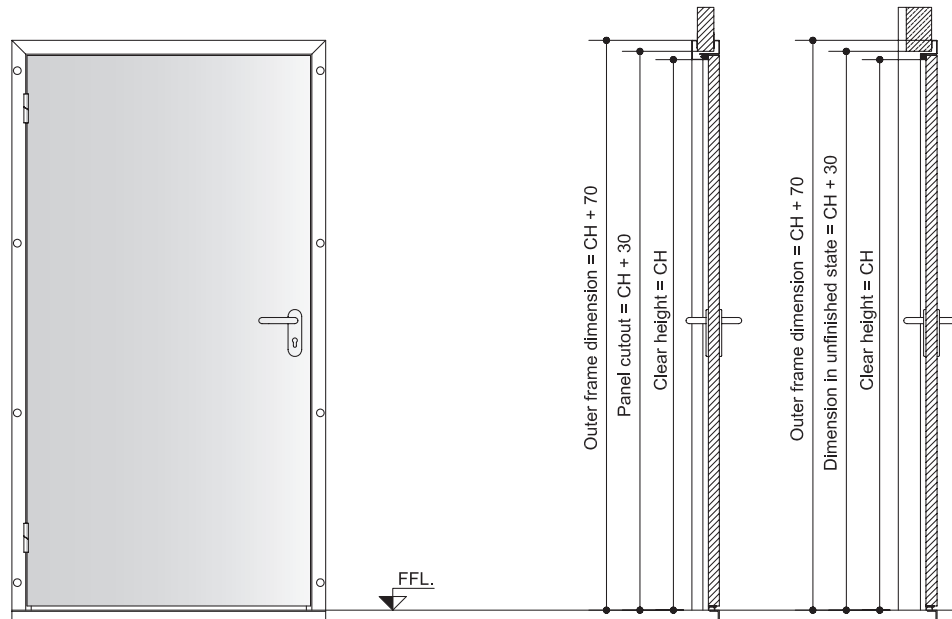
Nickel-chromium steel, 1.4301, non-rusting pursuant to DIN 17440, circular-matted, grounded, brushed or pattern-rolled lengthwise (5WL).

### Door hardware

Rising hinges of nickel chromium steel. Standard design: PC-prepared, plastic door handle set

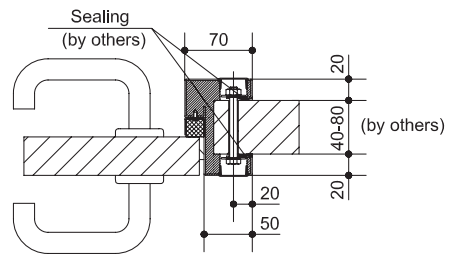
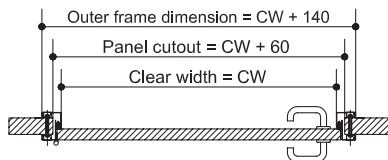
### Options

- Stainless steel door handle set
- WC door handle set
- Profile cylinder with 3 keys
- Overhead door closer • fender • door catch
- Windows WxH = 400x600mm
- double-winged design

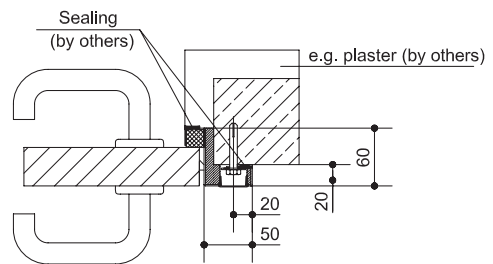
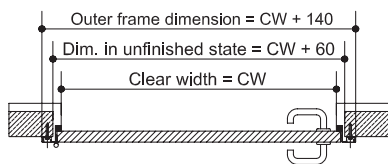


**Detailed sections**

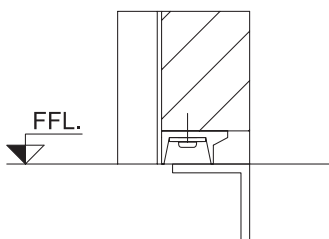
Panel installation DIN left (DIN right mirror-inverted)



Brickwork installation DIN left (DIN right mirror-inverted)



Threshold installation (example)



# ems service room hinged door BTM 80

## Features

### Fields of application:

Service rooms, internal logistics, separation of equally temperate rooms

U value door leaf in W/m<sup>2</sup>K      0.30

### Dimensions:

Clear width (CW):      max. 1,500 mm

Clear height (CH):      max. 3,800 mm

Other sizes are available as special design, on request.

## Details of the ems service room hinged door BTM 80

### Door leaf

Door leaf thickness 80 mm, foamed with PU rigid foam, foaming agent CFC-free and HCFC-free.

Vertical butt joint from CW 1,100 mm

### Sealing

Three sides held in plastic profiles, grease-resistant EPDM insert sealing. EPDM abrasive rubber sealing at bottom of door leaf. All sealings can be easily replaced.

Option: silicone sealing black or white.

### Door frames installed in brickwork

Flat frame (100 x 45 mm) metal-sheeted in the design of the door leaf with and without threshold. Ready to install with assembly material and installation instructions.

### Door frame with panel installation

Clamp frame (100 x 45 mm) metal-sheeted in the design of the door leaf with and without threshold. Prepared ready to install for the respective panel thickness, with assembly material and installation instructions.

### Options (on request) i.a.:

- Corner frame 70 x 50mm
- Tubular track lead-through
- Sanitary application
- Stainless steel threshold

### Covering sheet steel design

Galvanized Quality Class Z275, corrosive protection class III pursuant to DIN 55928.

Polyester coating, 25 µm in industrial colours pursuant to ems colour table.

### Options (on request):

Food-compatible coating FS3000®, 25 µm, physiologically harmless, in various colours:

### Covering stainless steel design

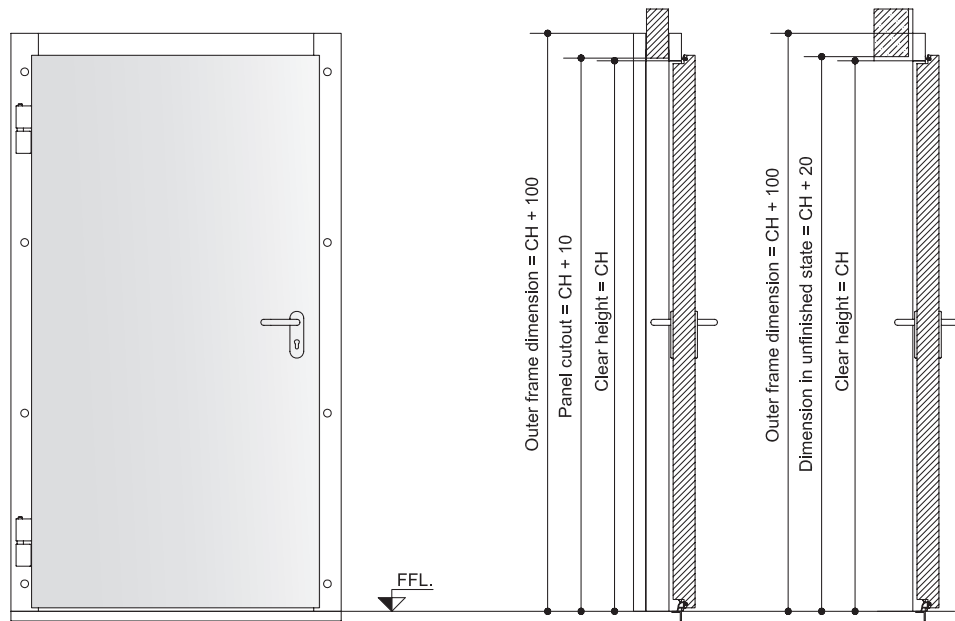
Nickel-chromium steel, 1.4301, non-rusting pursuant to DIN 17440, circular-matted, grounded, brushed or pattern-rolled lengthwise (5WL).

### Door hardware

Standard design: Rising hinges of CNS 1.4301 in plastic compound, three-dimensional adjustment. Mortise lock with stainless-steel shield, profile cylinder closing (PC) prepared, plastic door handle set

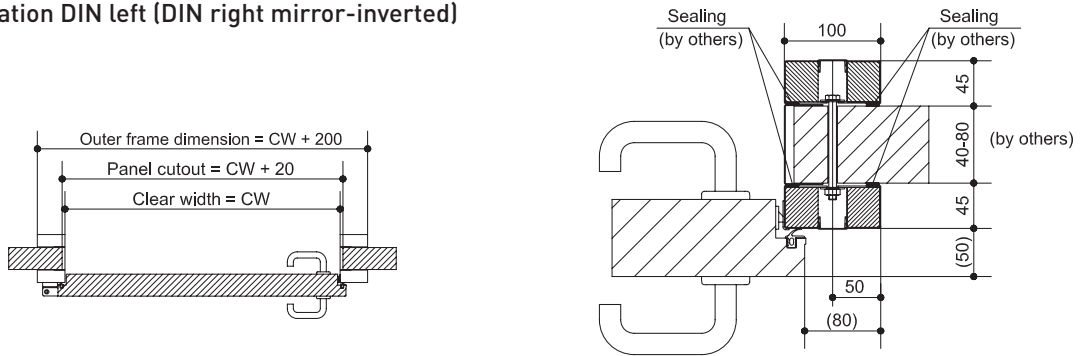
### Options (on request) i.a.

- CNS mortise lock
- Profile cylinder with 3 keys
- Stainless steel door handle set
- WC door handle set
- Overhead door closer
- Door contact switch
- Door catch
- Window WxH = 400x600mm
- Double-winged design

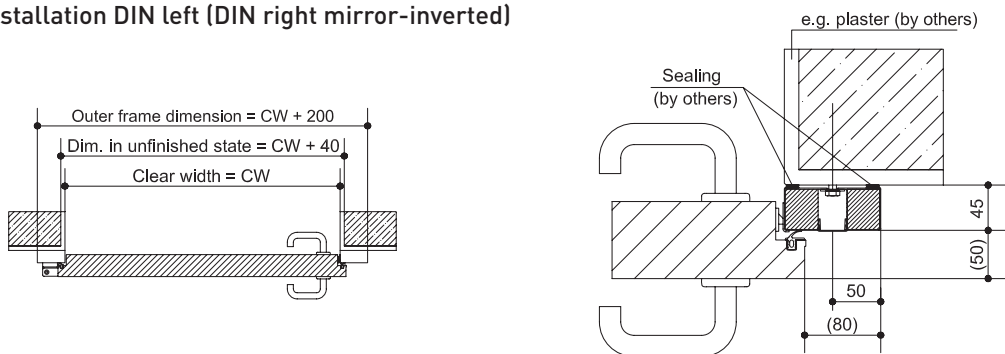


**Detailed sections**

Panel installation DIN left (DIN right mirror-inverted)



Brickwork installation DIN left (DIN right mirror-inverted)



Threshold installation (example)

